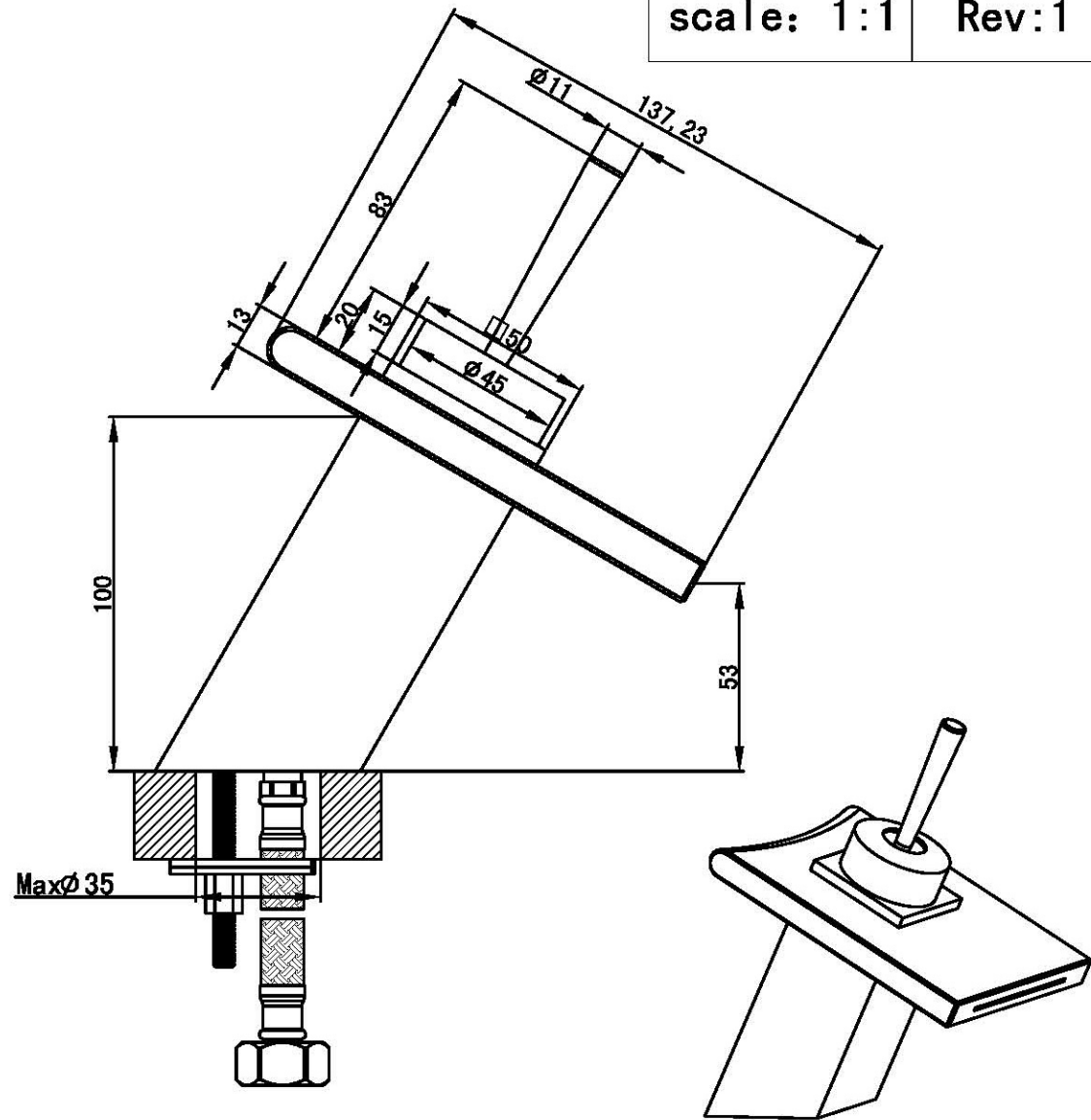
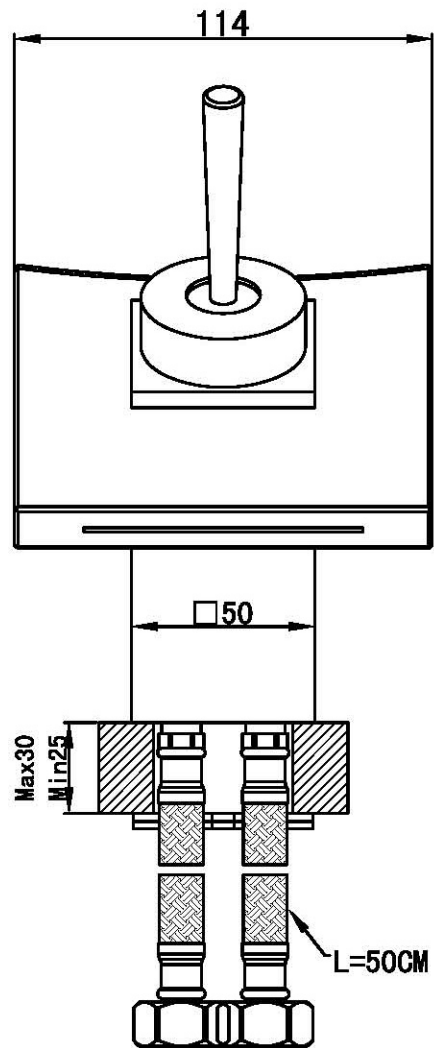


Net Weight: g Gross : g Unit: mm

scale: 1:1 Rev:1



IGAI
SANITARY WARE

Item No. :K12003

Basin mixer

Foshan Juyuan Hardware & Sanitary Wares Co., Ltd.
www.china-igai.com
Tel: 0086 (0) 757 82272928 Fax: 0086 (0) 757 82272938
Email:sales@china-igai.com