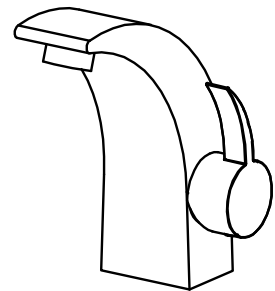
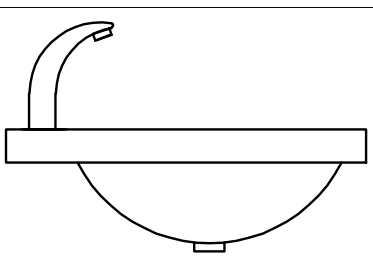
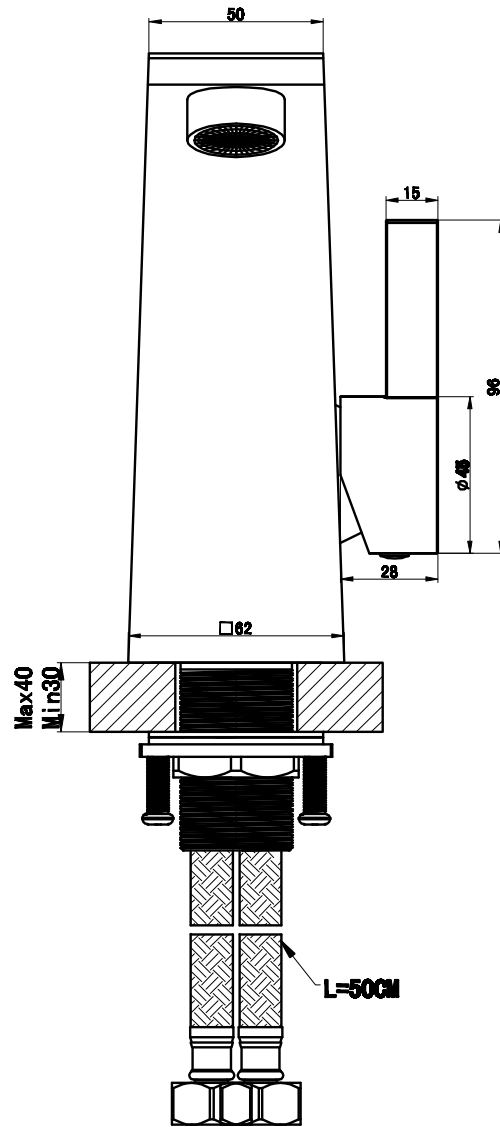
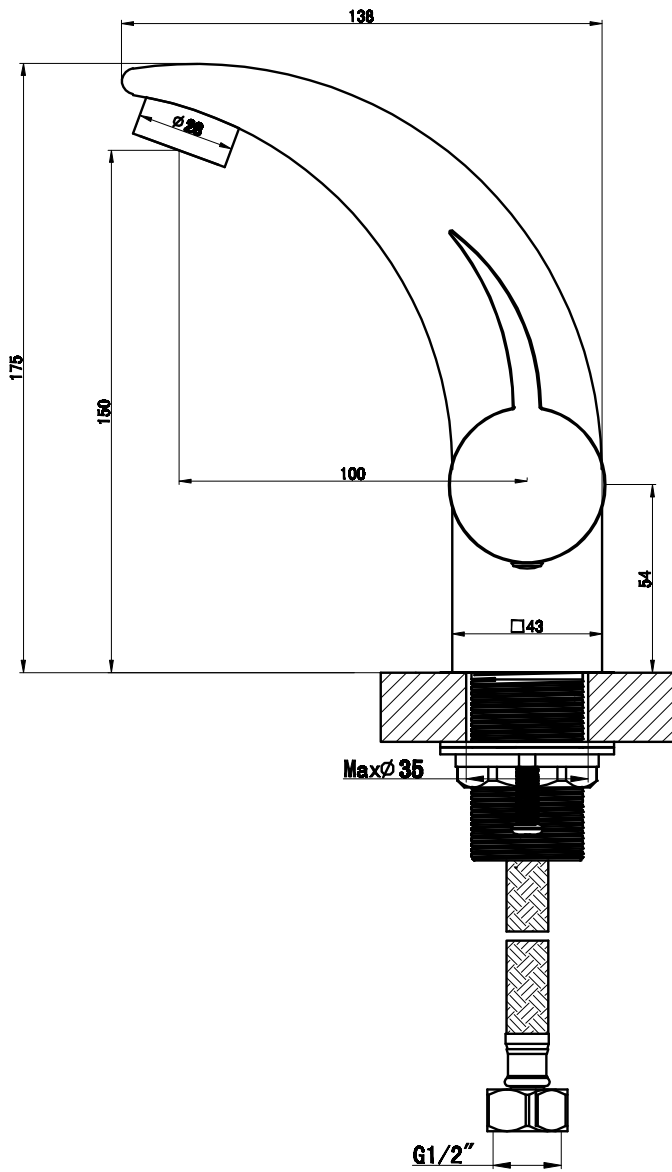


Net Weight: g

Gross : g

scale: 1:2

Rev:1



IGAI
SANITARY WARE

Item No. :K12019

Basin mixer

Foshan Juyuan Hardwares & Sanitary Wares Co., Ltd.
www.china-igai.com
Tel: 0086 (0) 757 82272928 Fax: 0086 (0) 757 82272938
Email: sales@china-igai.com