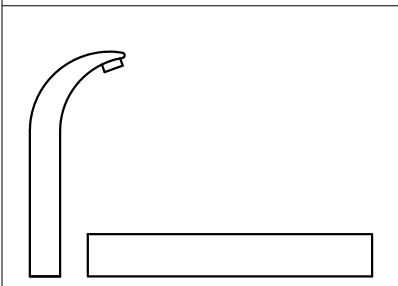
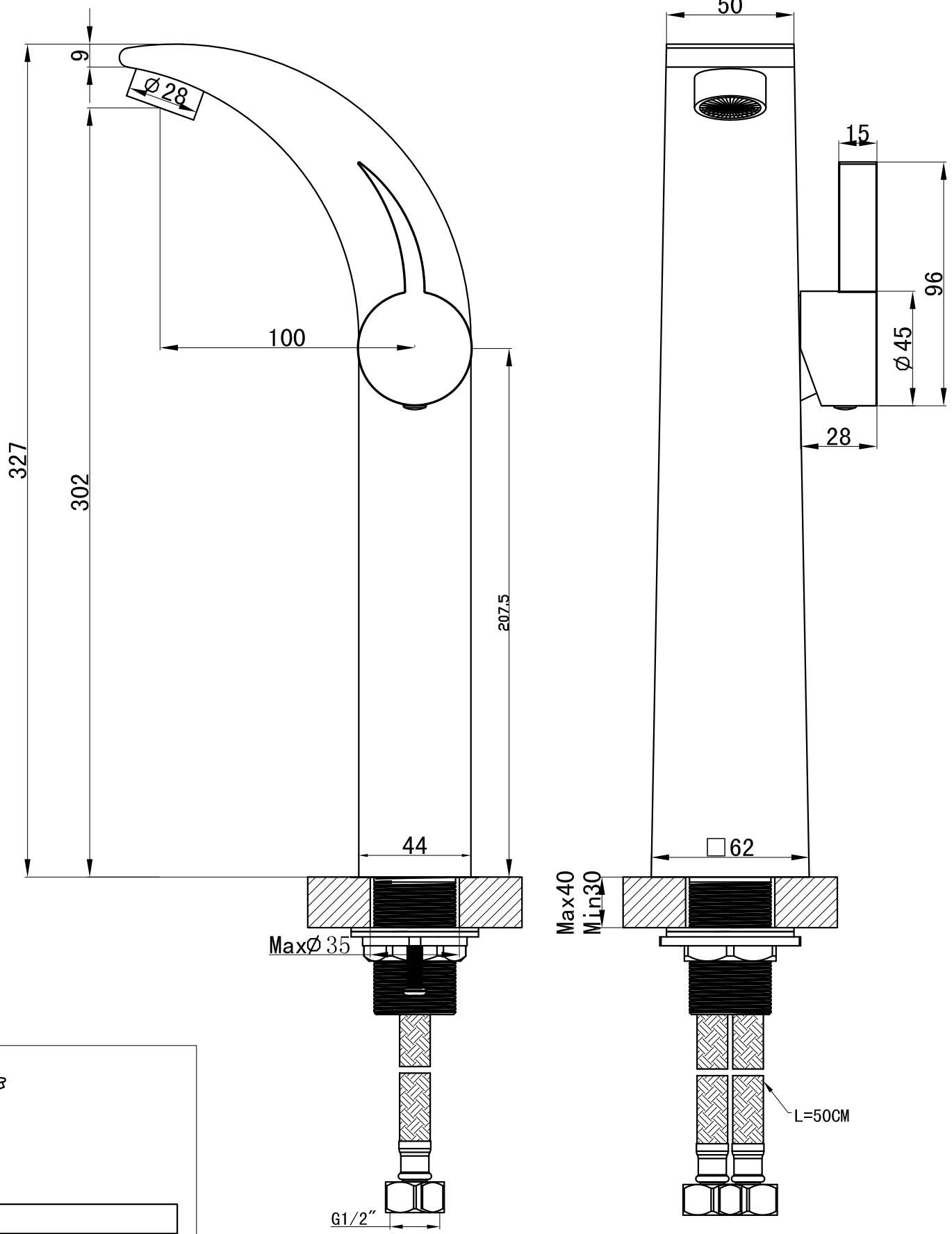


Net Weight: g Gross : g

scale: 1:2 Rev:1



Item No. :K12019-H

Basin mixer

Foshan Juyuan Hardwares & Sanitary Wares Co., Ltd.
www.china-igai.com
Tel: 0086(0) 757 82272928 Fax: 0086(0) 757 82272938
Email:sales@china-igai.com